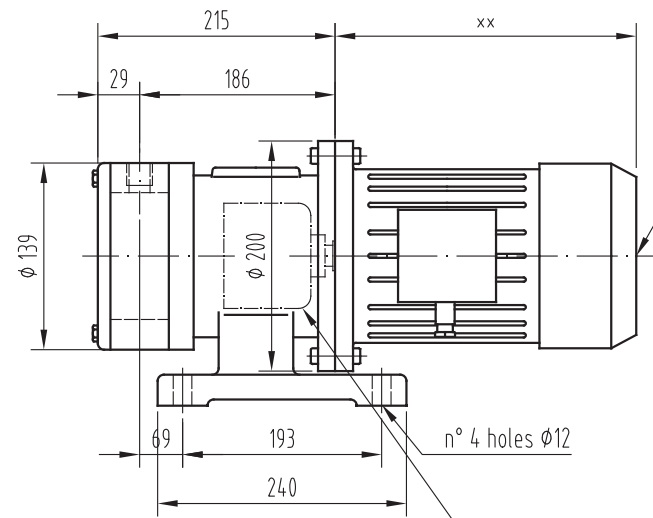


1 dimensions in mm

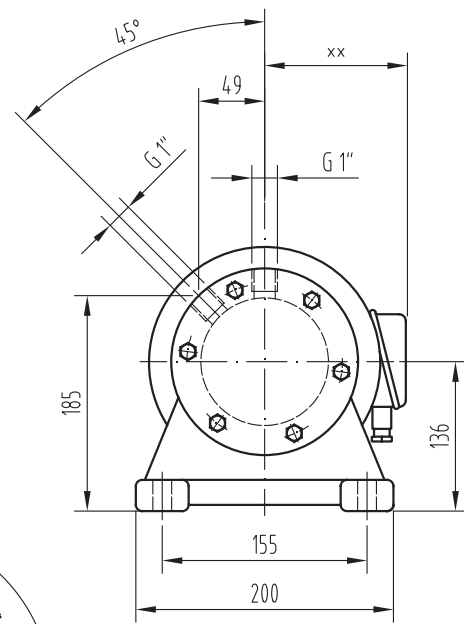
MOTOR: IEC Gr. 90 B5



external magnet

MOTOR FLANGE

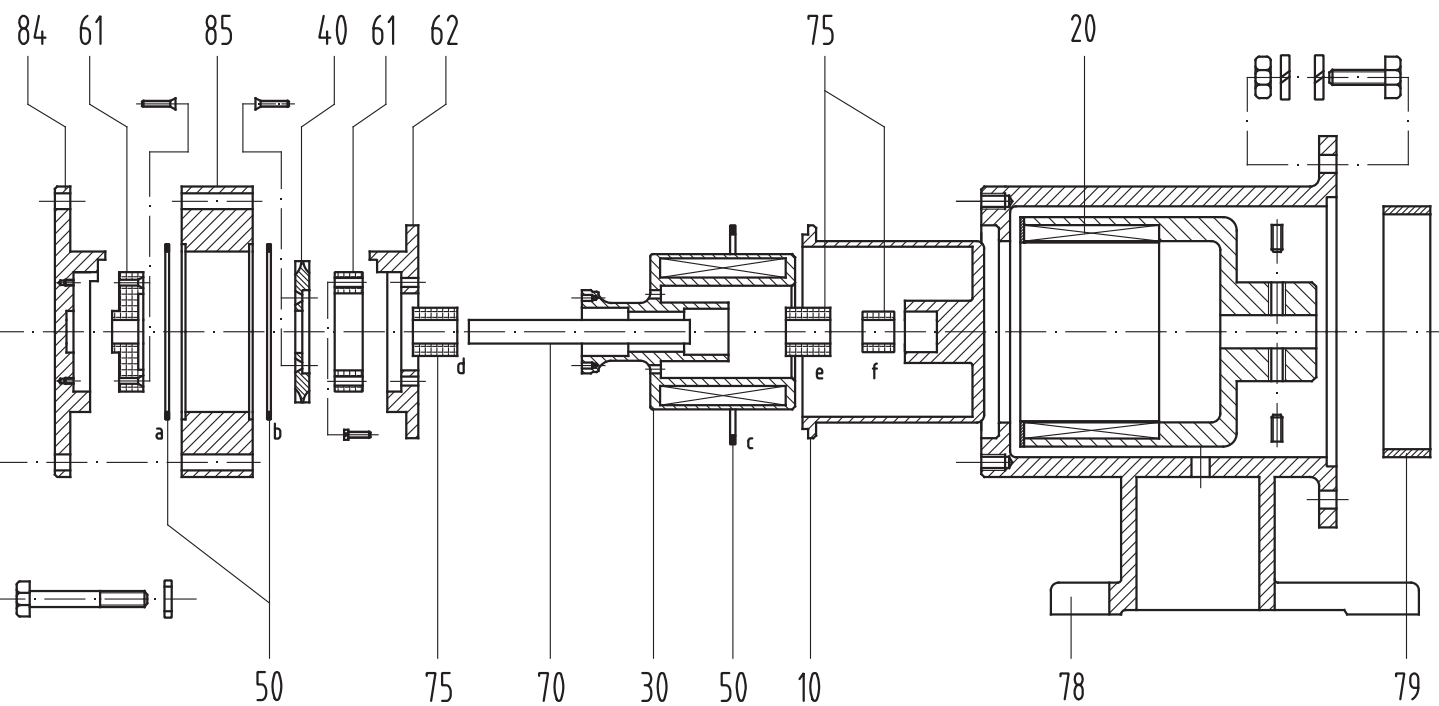
132±0.5



THREAD UNI ISO 228/1

(x) DIFFERENT FROM MOTOR MANUFACTURER
- DIRECTION AND PORTS LOCATION ARE REVERSIBLE

REF	DESCRIPTION	MATERIAL	CODE
10	Containment shell	SS 316	
20	Ext. Magnet	CoSm/ Carbon Steel	
30	Int. Magnet	SS 316L/CoSm	
40	Impeller	SS 316	
50	Set O-Rings (a+b+c) a + b = O-Ring 4350 (237) c = O-Ring 4400 (242)	Viton	
61	Thrust Bearings	Pcarbon	
62	Rear Ring	SS316	
70	Shaft	SIC	
75	Sleeve Bearings Bearings (d+e) Bearing (f)	SIC SS316	
78	Bracket (200-130-24)	Cast Iron	
79	Rub Ring	Bronze	
84	End Cover	SS 316	
85	Pump Casing	SS 316	
88	Rear Wet End (10+30+40+50+61+62+70+75)	/	



MARCH PUMPEN GmbH & Co.KG
 Rathenaustraße 2
 D-35394 Gießen
 www.march-pumpen.com
 info@march-pumpen.com

Baureihe / Series:

MTA

Typ / Type:

MTA 55 SSR

Motor:

IEC 90 B5